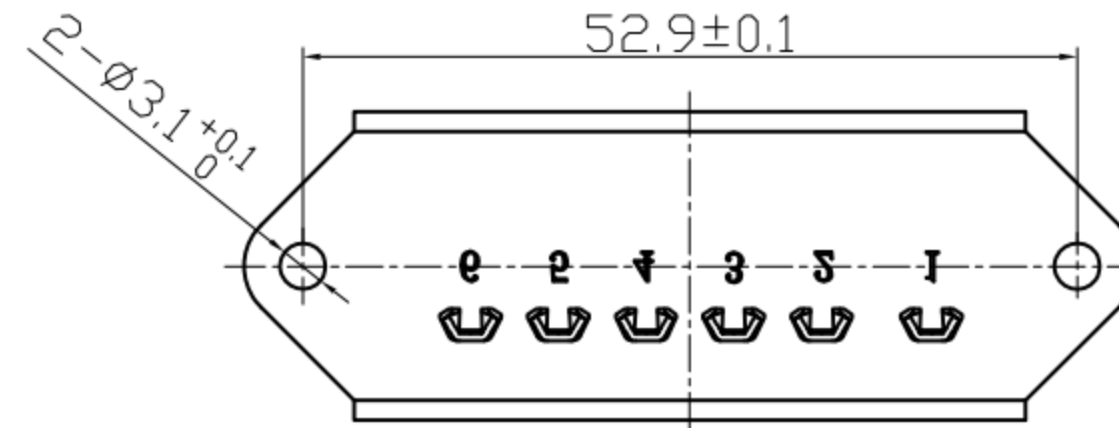
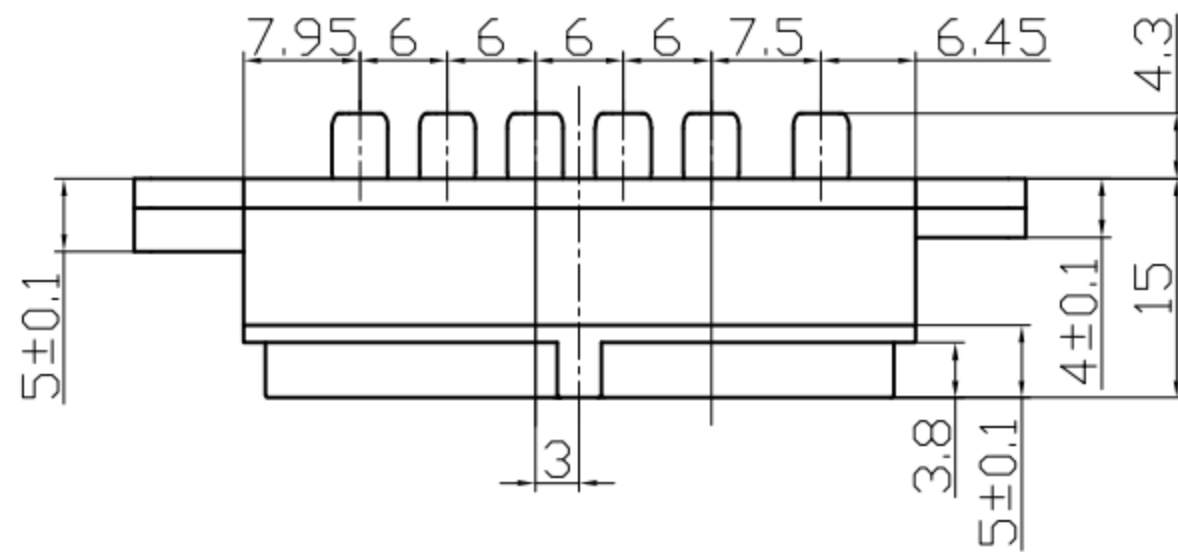
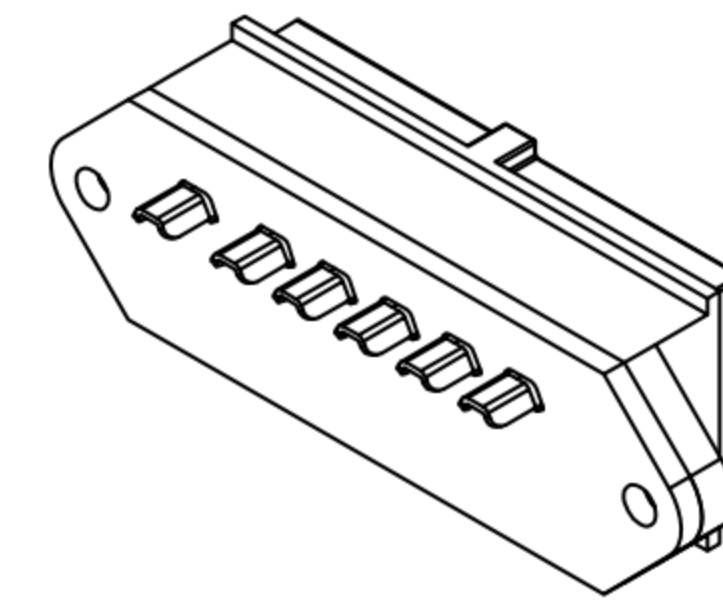
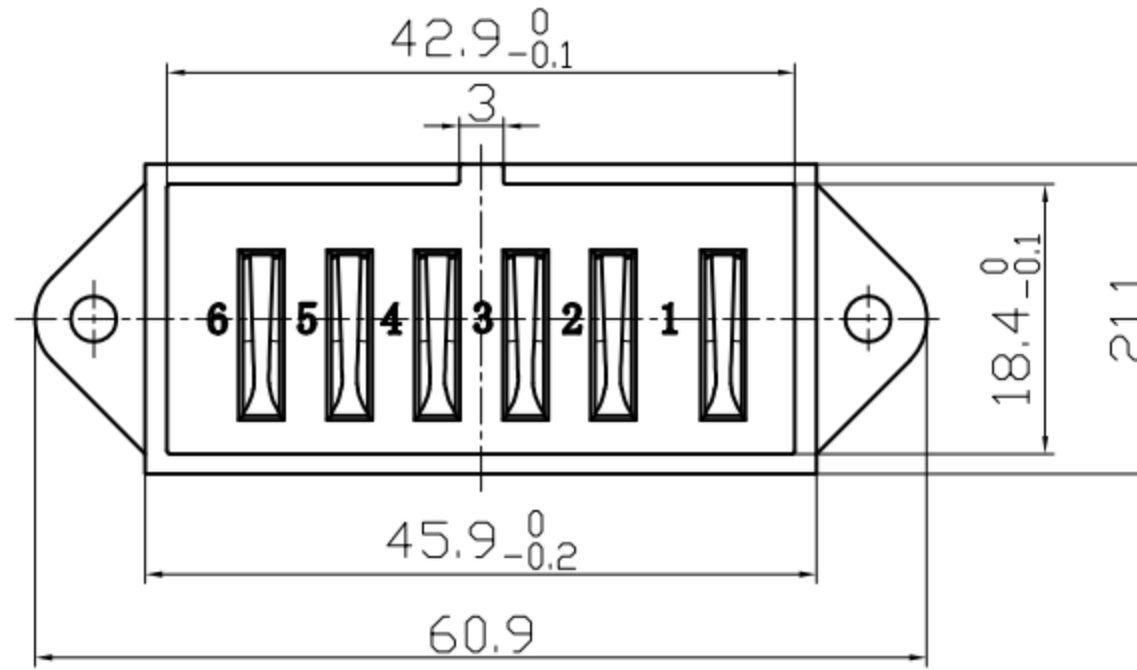
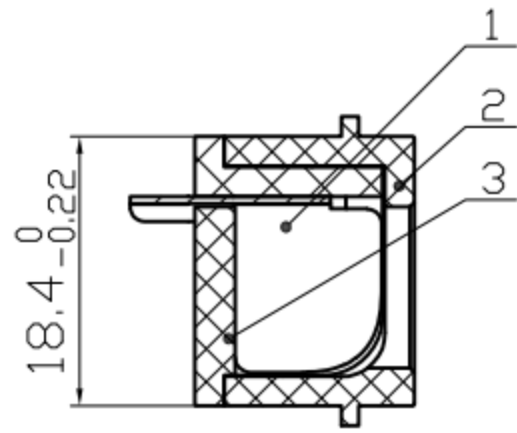


Rohs


REV.	DESCRIPTION	DRAW.	DATE.



Material:  
 Insulator : NYLON (UL94V-0)  
 Contact : Phosphor Bronze  
 Contact Plated : Nickel  
 Specification:  
 Current Rating : 15A  
 Voltage Rating : 24V  
 Contact Resistance : 100m Ω  
 Insulation Resistance : 500M Ω  
 Dielectric Voltage : 1500V  
 Operating Temperature : -25°~85°

大电流连接器

 东莞市高迪电子有限公司  
 DONG GUAN GAO DI ELECTRONICS CO., LTD

REV:	01	料号: XB-B10-M6	TITLE:	刀式电池连接器	DESIGN	DATE
SIZE:	A4	X. ±0.20	PART NO:		DRAWING	DATE
SCALE: 1:1	UNIT: mm	X.x ±0.15			CHECK	DATE
SHEET: 1/1	 	X.xx ±0.10	SCALE	1:1	PAGE	1 OF 1
		ANGULAR ±2°				